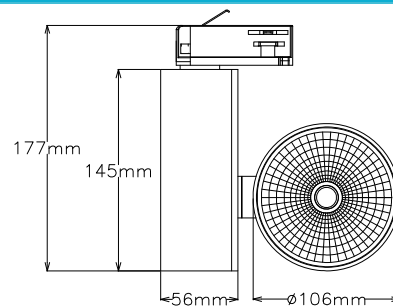


Model : i-LED-TSL-7



Product Information

Power(W):	50
Size(mm)	D105*L130
Optics	Reflector



SPECIFICATIONS

Input Voltage	AC220-240V, 50/60Hz	LED Driver	Osram / Tridonic / Boke / Philips
Dimming	On-off / 0-10V / Triac / Dali	LED Chip	Citizen / Luminus / Bridgelux / Cree
Track Adapter	1 Phase / 3 Phase	CRI	83/92/97Ra
Material	ALU	CCT	2700/3000/3500/4000/5000K
Housing Color	White/Black	Beam Angle	15°/24°/38° / 60°
Warranty	5 Years	UGR	<19





TRACK ACCESSORIES

Track Rail surface / pendant / recessd types



2 wires 1 phase



3 wires 1 phase



4 wires 3 phase
4 wires 2 phase
4 wires 1 phase (DALI)



6 wires 3 phase (DALI)

Accessories



1.Live end



2.End cap



3.Mini joiner



4.Straight connector



5.L connector



6.T connector



7.+ connector



8.Flexible connector



9.Adjustable L connector



10.Suspension kit



11.Track adapter



12.Adapter cable

