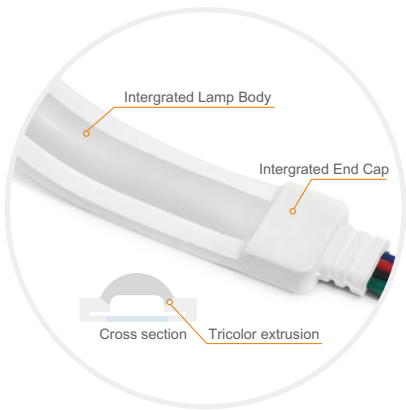
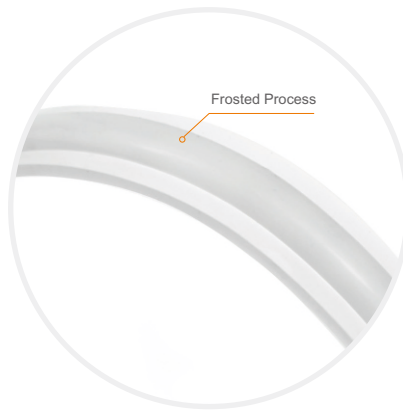




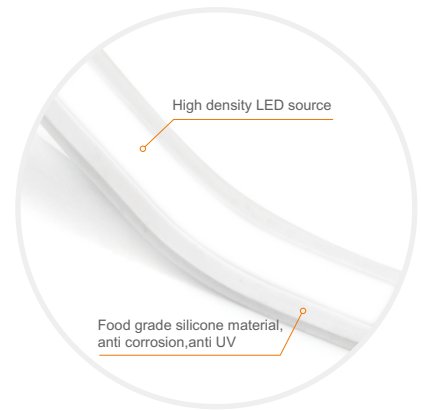
COB LED STRIP PLUS



More extreme vision

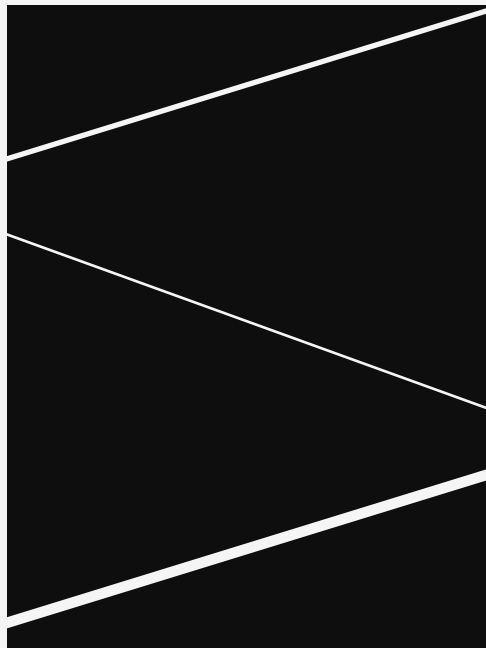


More perfect touch



More stable performance

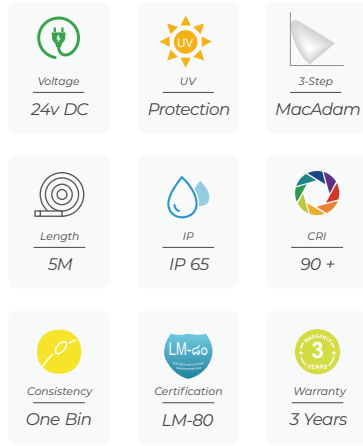
Specialized
LED strip
Manufacturer





Model : i-COB-SP8MM

Parameter Table For 8MM



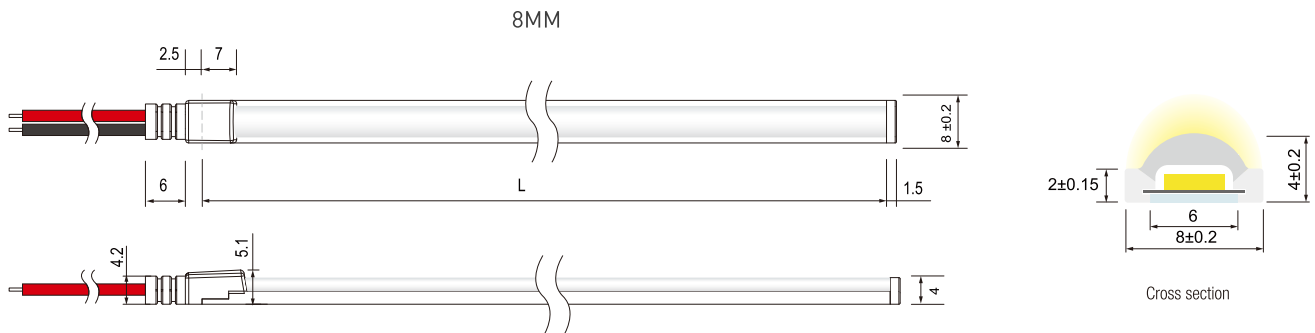
- Max. Run length refers to single side feed in serial connection.
- The given color temperature is the temperature of finished product.
- The given data are typical values due to the tolerances of the production process and the electrical components, values for light output and electrical power can vary up to 10%.

Single-Color

CCT(K)	CRI	SDCM	Power(W)	Lumen (LM/M)	Efficiency (LM/W)	Unit Length (mm)	Max. Run Length (M)	Voltage
2400	>90	<5	5	535	107.1	50	5	DC24V
			10	1010	101			
2700	>90	<5	5	546	109.2	50	5	DC24V
			10	1019	101.9			
3000	>90	<5	5	554	110.9	50	5	DC24V
			10	1046	104.6			
3500	>90	<5	5	599	119.8	50	5	DC24V
			10	1130	113			
4000	>90	<5	5	558	111.7	50	5	DC24V
			10	1077	107.7			
5000	>90	<5	5	552	110.4	50	5	DC24V
			10	1028	102.8			
6500	>90	<5	5	560	111.9	50	5	DC24V
			10	1056	105.6			
R	--	--	5	145	29.0	50	5	DC24V
			10	293	29.3			
G	--	--	5	381	76.2	50	5	DC24V
			10	685	68.5			
B	--	--	5	71	14.2	50	5	DC24V
			10	134	13.4			
Yellow	--	--	5	116	23.2	50	5	DC24V
			10	223	22.3			
Orange	--	--	5	136	27.2	50	5	DC24V
			10	274	27.4			
Pink	--	--	5	315	63	50	5	DC24V
			10	602	60.2			

* This maximum serial length refers to the recommended connection length of single-end power supply when the COB strip is fully loaded (RGB all on).
In practical application, according to the final required effect, when the actual required power is small, the serial length can be extended as appropriate.

Dimension structure





Cable Type

Cable Type	Schematic Diagram	Specification	Core	Electrical Properties
		20AWG Red&Black 2-core Cable	● ●	Red V+, Black V-
		20AWG Brown&White&Yellow 3-core Cable	● ○ ●	Dual-White: Brown V+, White W, Yellow WW
		20AWG Brown&White&Yellow 3-core Cable	● ○ ●	Digital RGB: Brown V+, White DI, Yellow GND
PVC Cable		20AWG Black&Blue&Red&Green 4-core Cable	● ● ● ●	Black V+, Blue B, Red R, Green G
		20AWG Black&White&Blue&Green &Red 5-core Cable	● ○ ● ● ●	Black V+, White W, Blue B, GreenG, RedR
		20AWG Black&Blue&Red&Green &Yellow&White 6-core Cable	● ● ● ● ● ○	Black V+, Blue B, Red R, Green G, Yellow WW, White W

Cutting Mark



Remark: The bottom of the led strip has transparent window, the black marker is the cutting position



Use professional scissors to cut vertically at the cutting mark

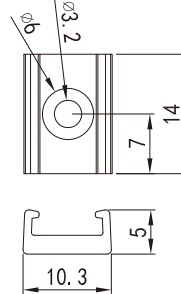




Mounting Accessories

C8 Clip

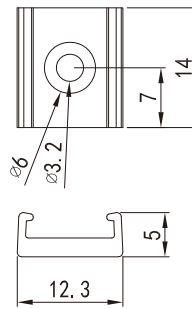
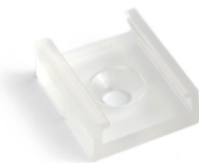
8MM



Dimension: :
14x10.3x5
Accessories:
PA 3X10 Self tapping screw

C10 Clip

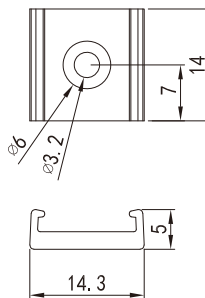
10MM



Dimension:
14x12.3x5
Accessories:
PA 3X10 Self tapping screw

C12 Clip

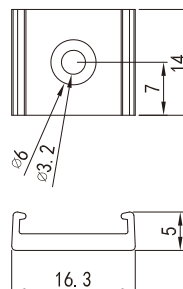
12MM



Dimension:
14x14.3x5
Accessories:
PA 3X10 Self tapping screw

C14 Clip

14MM



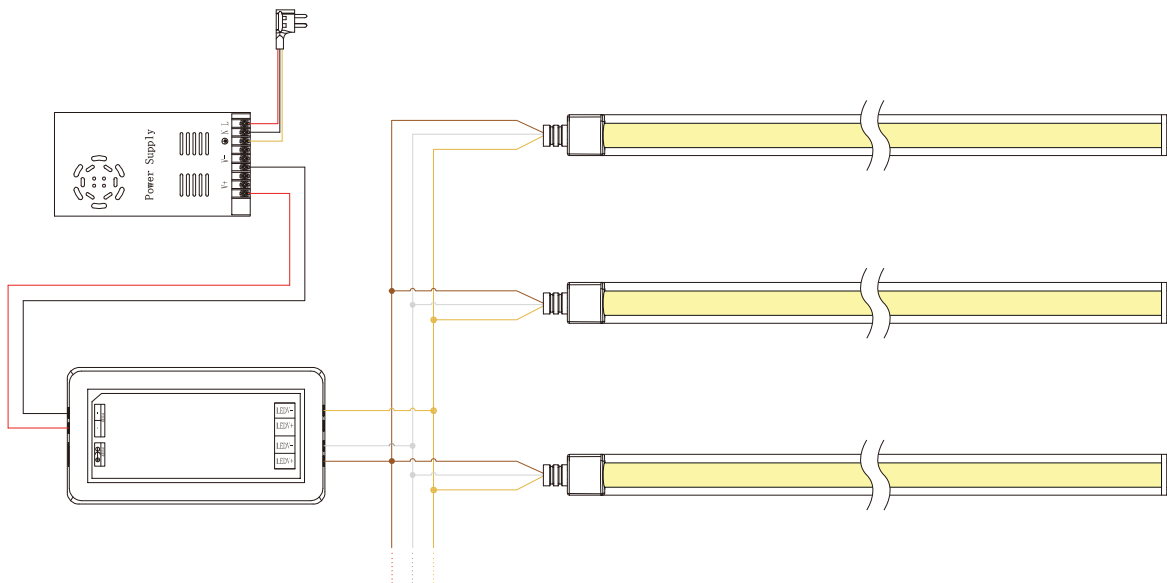
Dimension:
14x16.3x5
Accessories:
PA 3X10 Self tapping screw



Single Color Connection Diagram

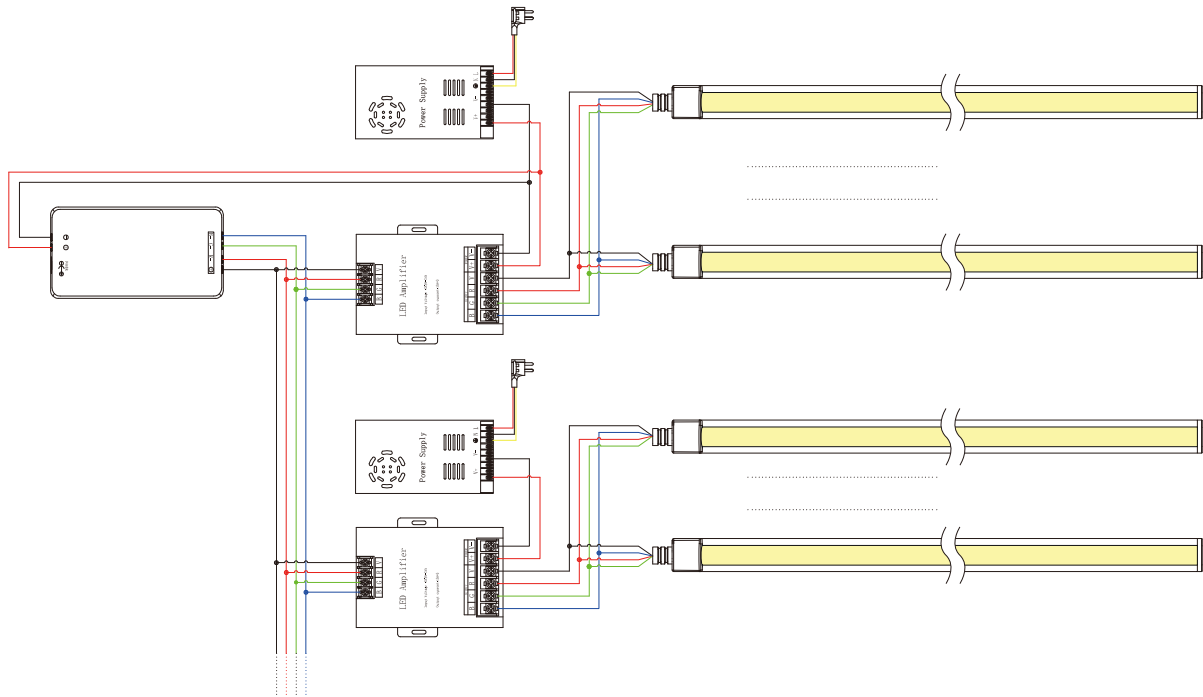


Tunable white Connection Diagram

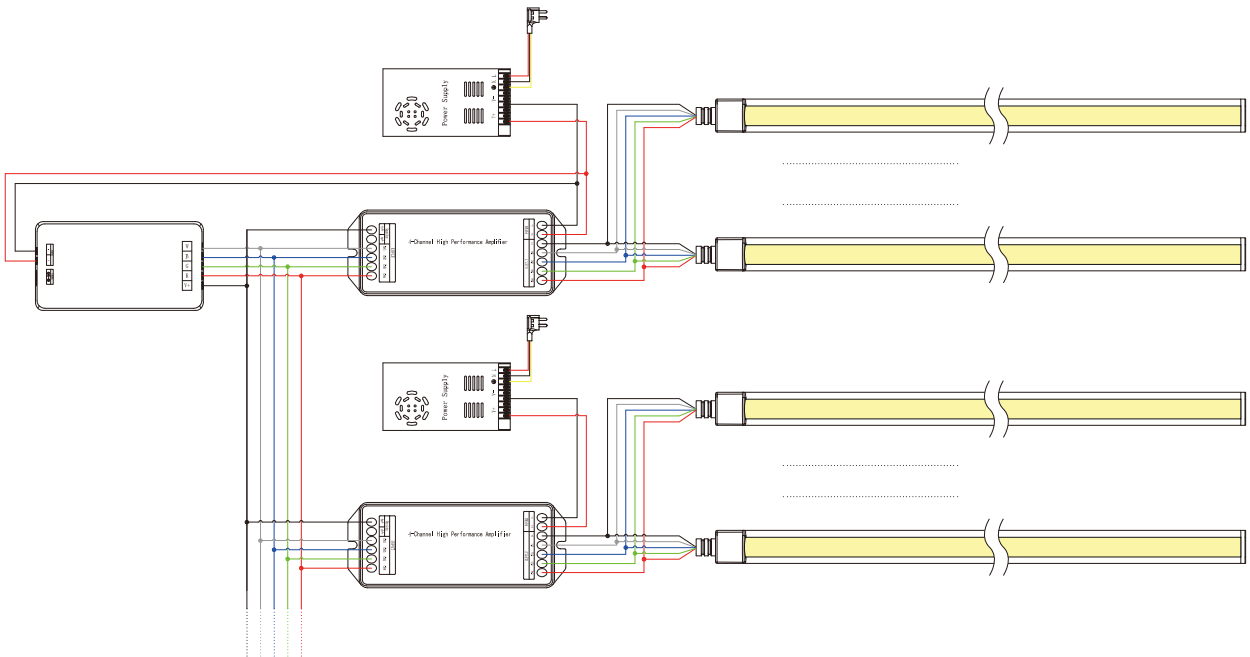




RGB Connection Diagram

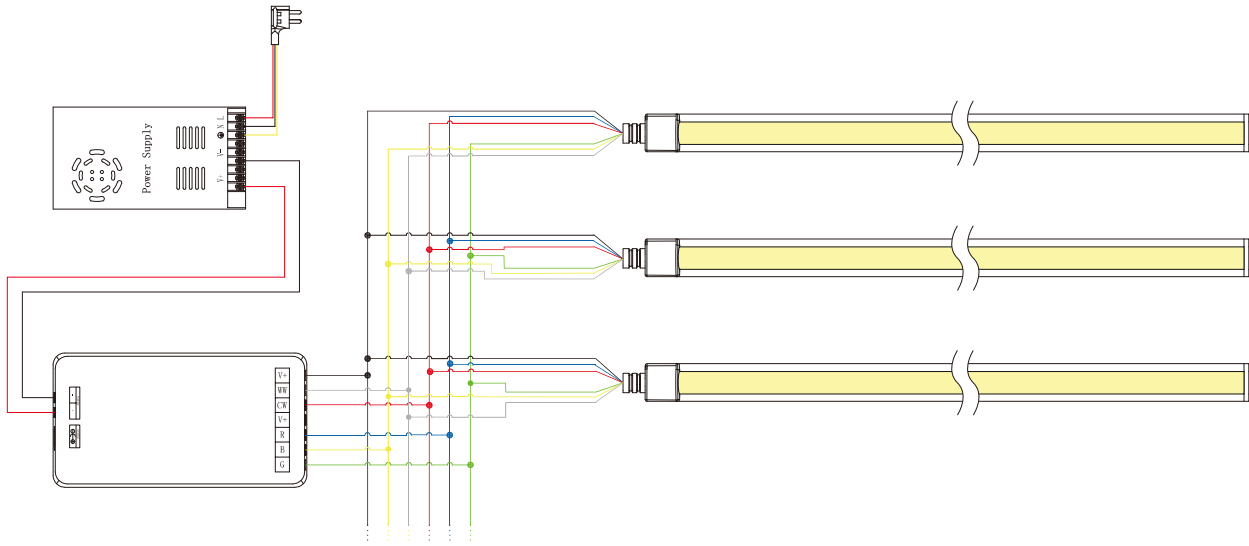


RGBW Connection Diagram

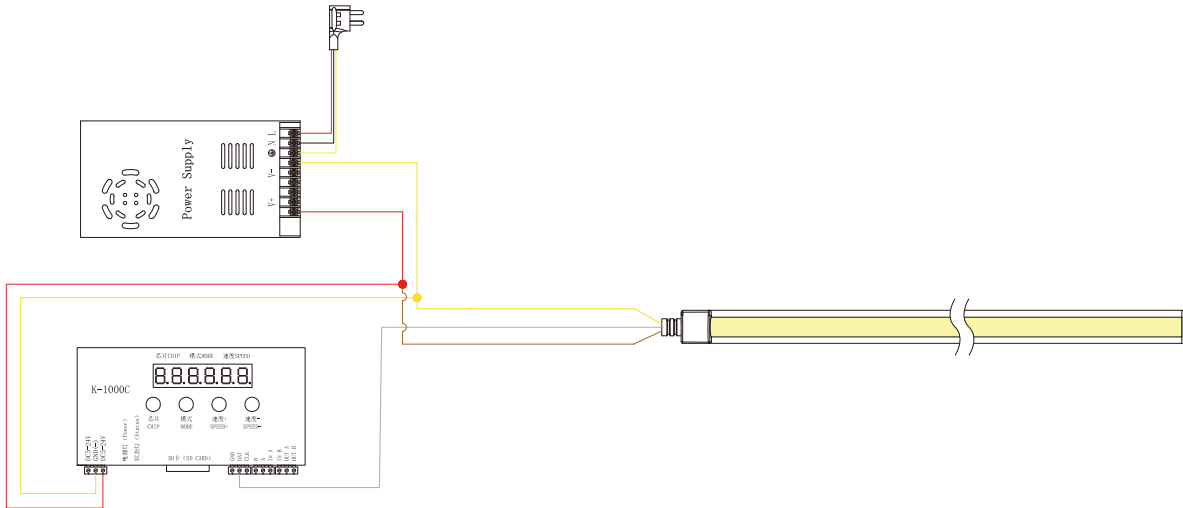




RGBWW Connection Diagram



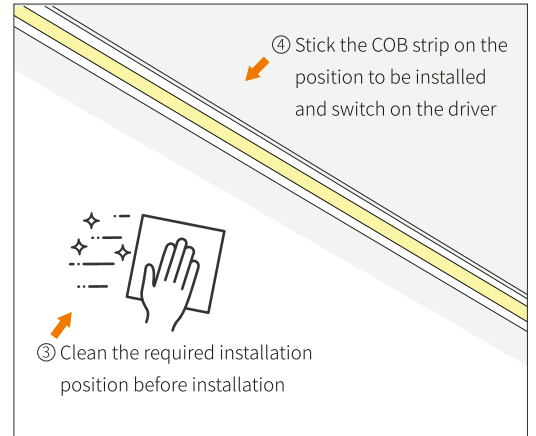
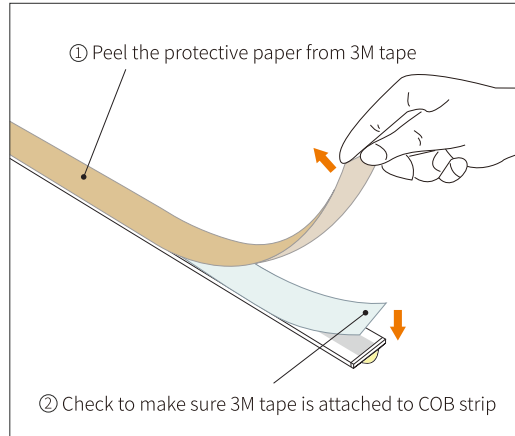
Digital RGB Connection Diagram





Installation Diagram

Installation with 3M tape



Installation with aluminum clips

